

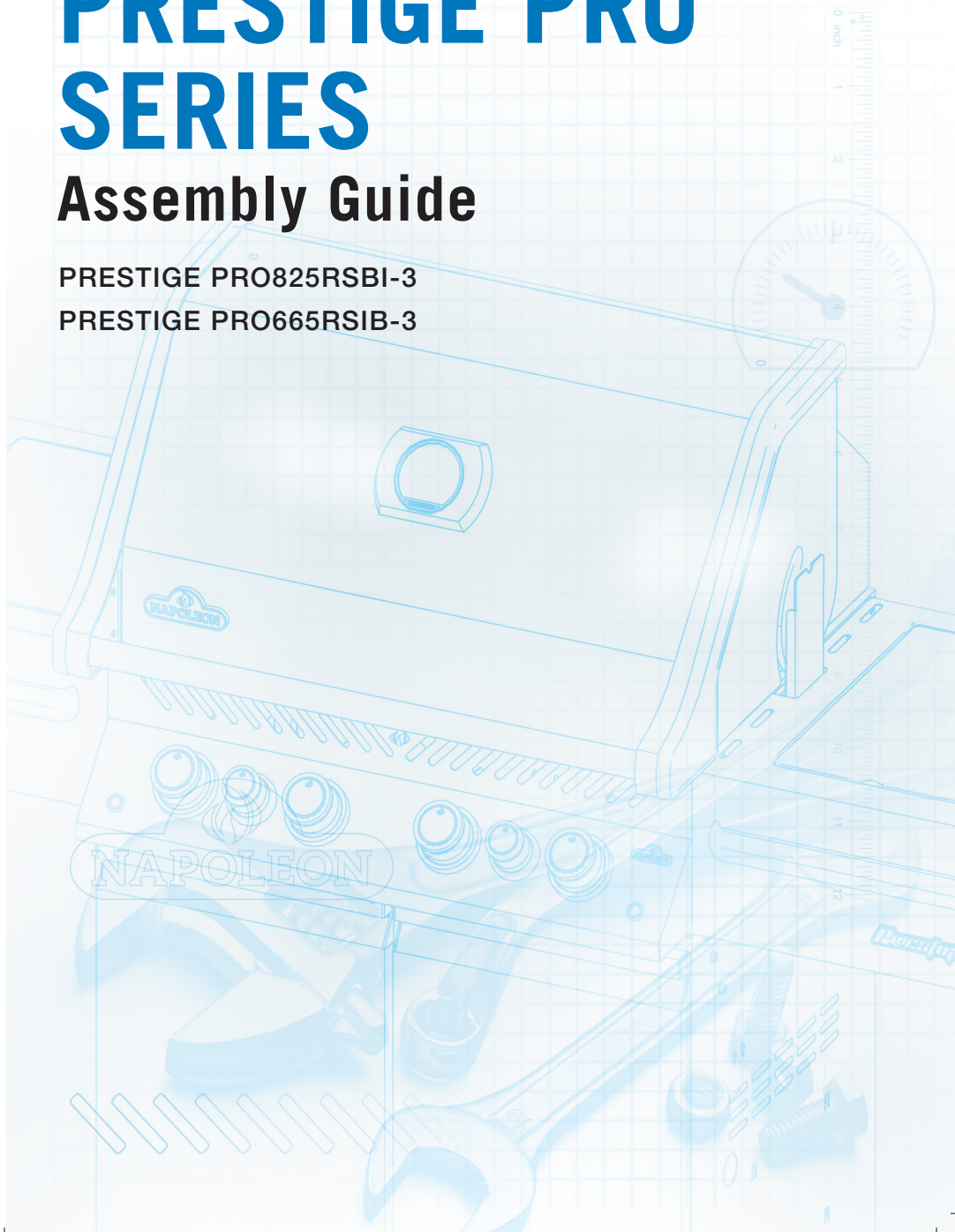


# PRESTIGE PRO<sup>®</sup> SERIES

## Assembly Guide

PRESTIGE PRO825RSBI-3

PRESTIGE PRO665RSIB-3





3/8  
(10mm)



3/8  
(10mm)



#3



# WELCOME TO NAPOLEON!

**Congratulations** on your Napoleon grill! You've just upgraded your grilling game. Register your grill today. We want to be by your side as you live memorable moments.

## Ready to assemble your new grill?



There may be visual differences between illustrations and model purchased. Remove all parts from packaging before assembling the grill. Set up this assembly on a solid, level and horizontal surface.

**Tools not included.**

# VELKOMMEN TIL NAPOLEON!

**Tillykke** med din Napoleon-grill! Du har lige opgraderet dit grillspil.

## Klar til at samle din nye grill?



Der kan være visuelle forskelle mellem illustrationer og købt model. Fjern alle dele fra emballagen, før grillen monteres. Anbring denne samling på en solid, plan og vandret overflade..

**Værktøj ikke inkluderet.**

# WILLKOMMEN BEI NAPOLEON!

**Kongratuliere** zu Ihrem Napoleon Grill!

## Vorbereitungen zur Montage Ihres neuen Grills?



Differenzen zwischen Bilder und Ihrem Grillmodell möglich. Alle Teile der Verpackung entnehmen bevor Sie den Grill aufbauen. Grill auf einer soliden und flachen Ebene aufbauen.

**Werkzeuge nicht enthalten.**

# VELKOMMEN TIL NAPOLEON!

**Tillykke** med din Napoleon grill - du har lige oppet dit 'grill game'.

## Klar til at samle din nye grill?



Der kan være visuelle forskelle mellem illustrationerne og din købte model. Fjern alle dele fra indpakningen før du går igang med at samle grillen. Saml grillen på en solid, jævn og horisontal flade.

**Værktøj ikke inkluderet.**

# ¡BIENVENIDO A NAPOLEON!

**¡Felicidades** por adquirir tu parrilla Napoleon! Acabas de elevar tu potencial como chef parrillero.

## ¡Listo para ensamblar tu asador?



Considera que puede haber diferencias entre las ilustraciones en esta guía y el modelo adquirido. Retira todas las partes de sus empaques antes de comenzar. Asegurate de ensamblar tu parrilla en una superficie plana y sólida.

**Herramientas no incluidas.**

# TERVETULOA NAPOLEON GRILLIN OMISTAJAKSI!

**Onnitellut** uudesta Napoleon grillistä! Olet juuri päivittänyt grillaus kokemuksesi uudelle tasolle.

## Oletko valmis kasaamaan grillin?



Kasausohjeen kuvat saattavat poiketa, kiinnitä huomioita osatamasi grillin mallikohtaisiin ohjeistuksiin. Pura kaikki paketin osat ennen kun alat kasaamaan grilliä. Kasaa grilli tasaisella alustalla.

**Työkalut eivät sisälly toimitukseen.**

# Bienvenue à Napoléon!

**Félicitations** pour votre grilla Napoleon! Vous venez de mettre vos talents chef en valeur.

## Prêt à assembler votre nouveau grill?



Il peut y avoir des différences visuelles entre les illustrations et le modèle acheté. Retirez toutes les pièces de l'emballage avant d'assembler le barbecue. Installez cet assemblage sur une surface solide, plane et horizontale.

**Outils non inclus.**

# ΚΑΛΩΣ ΗΡΘΑΤΕ ΣΤΟ ΝΑΠΟΛΕΩΝ!

**Συγχαρητήρια** για τη σχάρα του Ναπολέοντα! Μόλις αναβαθμίσατε το παιχνίδι ψησίματος.

## Είστε έτοιμοι να συναρμολογήσετε τη νέα σας σχάρα?



Μπορεί να υπάρχουν οπτικές διαφορές μεταξύ των εικονογραφήσεων και του μοντέλου που αγοράσατε. Αφαιρέστε όλα τα μέρη από τη συσκευασία πριν συναρμολογήσετε τη σχάρα. Τοποθετήστε αυτό το συγκρότημα σε σταθερή, επίπεδη και οριζόντια επιφάνεια.

**Τα εργαλεία δεν περιλαμβάνονται.**

# WELKOM BIJ NAPOLEON!

**Gefeliciteerd** met uw Napoleon Grill! You've just upgraded your grilling game.

## Klaar om uw nieuwe grill te op te bouwen?



Kleine afwijkingen tussen de afbeeldingen en uw grillmodel mogelijk. Pak alle onderdelen uit voor u begint. Assembleer de grill op een stabiel, vlak en horizontaal oppervlak

**Gereedschap niet bijgevoegd.**

# BENVENUTO IN NAPOLEON!

**Congratulazioni** per il tuo barbecue Napoleon! Hai appena raggiunto un nuovo livello di esperto in grigliate.

## Pronto per montare il tuo nuovo barbecue?



Potrebbero esserci delle differenze tra le illustrazioni e il modello acquistato. Rimuovere tutte le parti dall'imballaggio prima di montare il barbecue. Installare il barbecue su una superficie solida, piana e orizzontale.

**Utensili necessari per il montaggio non inclusi.**



# VELKOMMEN TIL NAPOLEON!

**Gratulerer** på Napoleon-grillen! Du har nettopp oppgradert grillspillet ditt.

Klar til å montere den nye grillen?



Det kan være visuelle forskjeller mellom illustrasjoner og kjøpt modell.  
Fjern alle delene fra emballasjen før du monterer grillen.  
Sett denne enheten på en solid, plan og horisontal overflate.

**Verktøy ikke inkludert.**

# ДОБРО ПОЖАЛОВАТЬ В НАПОЛЕОН!

**Поздравляем** вас с грилем Наполеон! Вы только что улучшили свою игру на гриле.

Готовы собрать свой новый гриль?



Между иллюстрациями и приобретенной моделью могут быть визуальные отличия.  
Перед сборкой гриля выньте все детали из упаковки.  
Установите эту сборку на твердую, ровную и горизонтальную поверхность

**Инструменты в комплект не входят.**

# VÄLKOMMEN TILL NAPOLEON!

**Gratis** till din Napoleongrill! Du har just uppgraderat ditt grillande.

Redo att montera din nya grill?



Det kan finnas visuella skillnader mellan illustrationer och köpta modeller.  
Plocka ut alla delar från förpackningen innan du monterar grillen.  
Genomför monteringen på en fast, jämn och horisontell yta.

**Verktyg ingår inte.**

# DOBRODOŠLI PRI NAPOLEONU!

**Čestitamo** za vaš Napoleonov žar! Pravkar ste nadgradili svojo izkušnjo pri peki na žaru.

Ste pripravljeni sestaviti svoj novi žar?

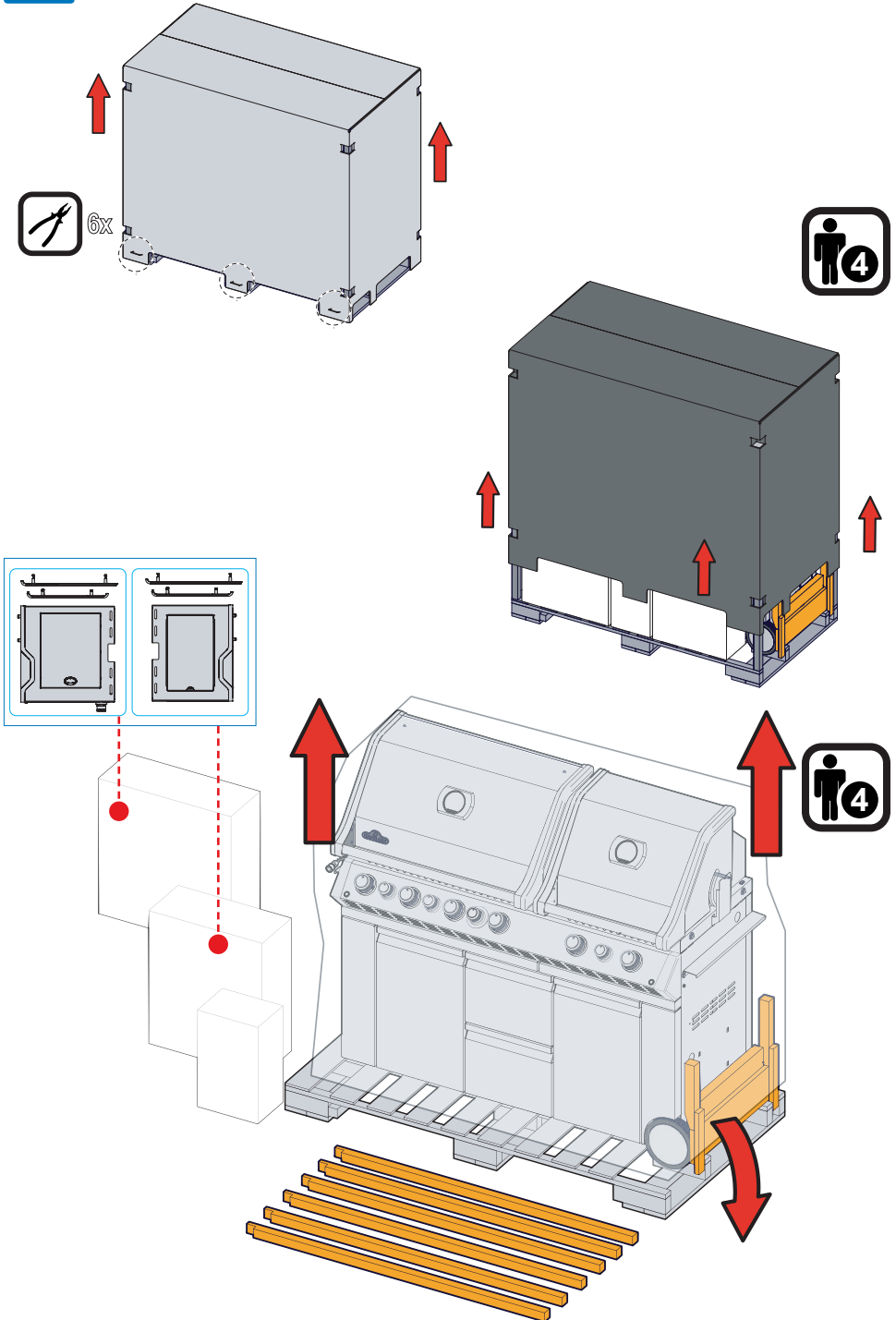


Med ilustracijami in kupljenim modelom so lahko vizualne razlike.  
Pred sestavljanjem žara odstranite vse dele iz embalaže.  
Ta sklop postavite na trdno, ravno in vodoravno površino.

**Orodja niso vključena.**

A

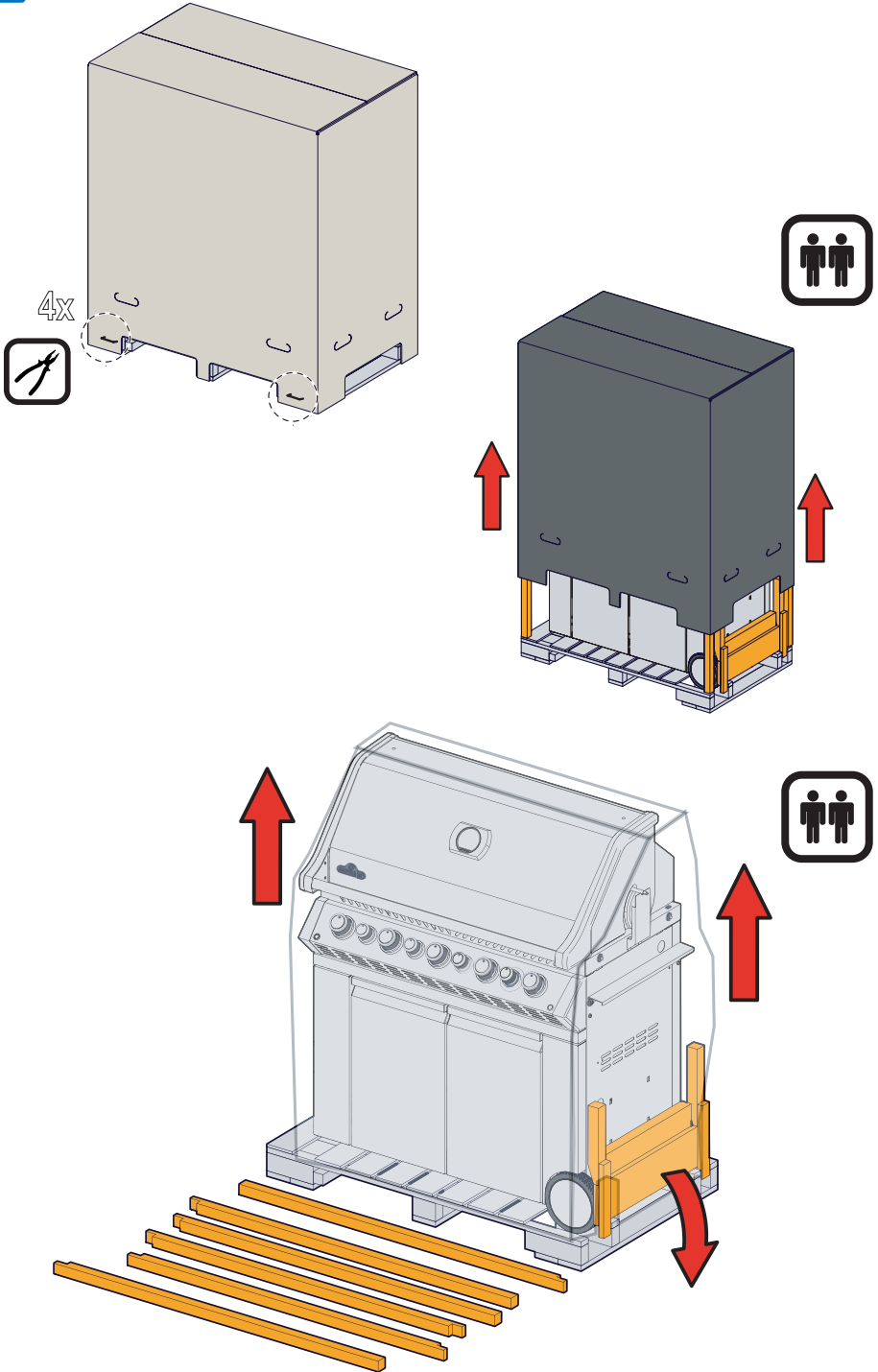
825





A

665





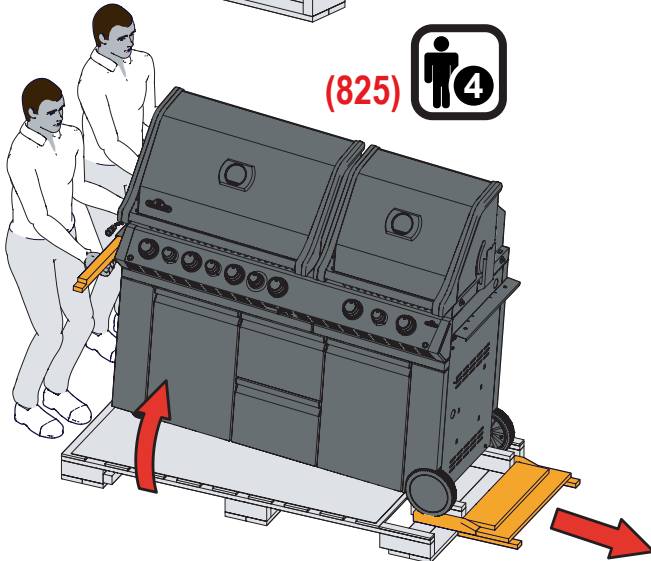
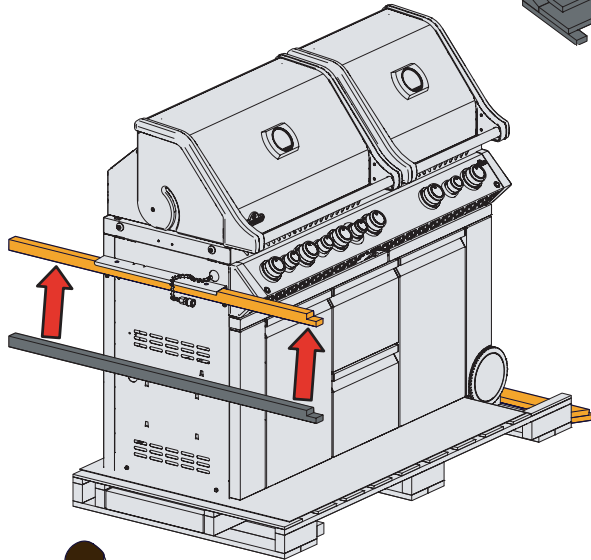
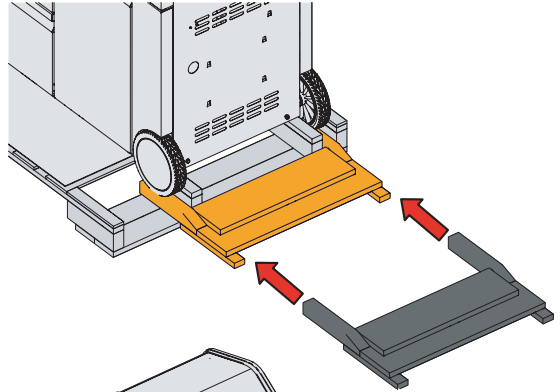
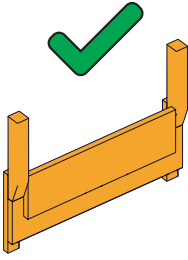
C



825



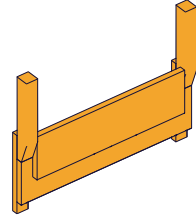
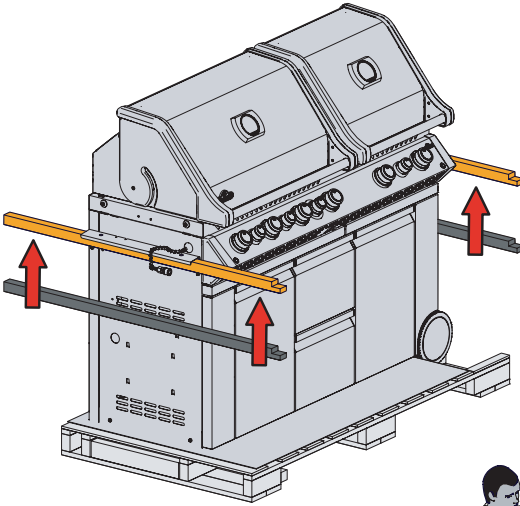
665



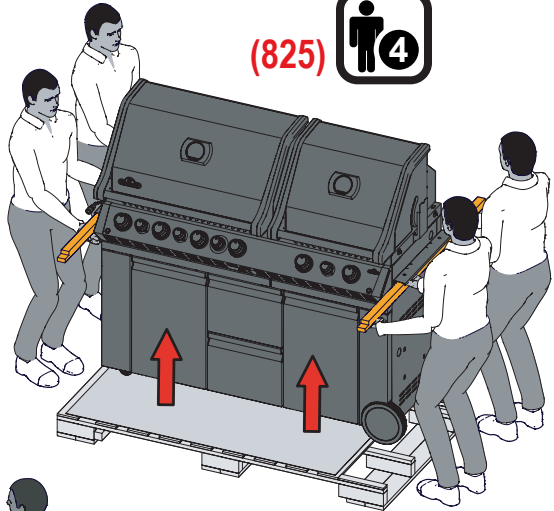
C

825

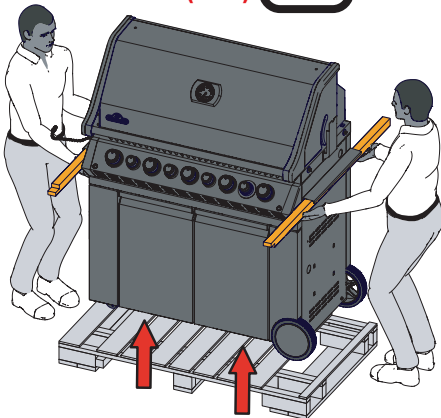
665



(825)



(665)



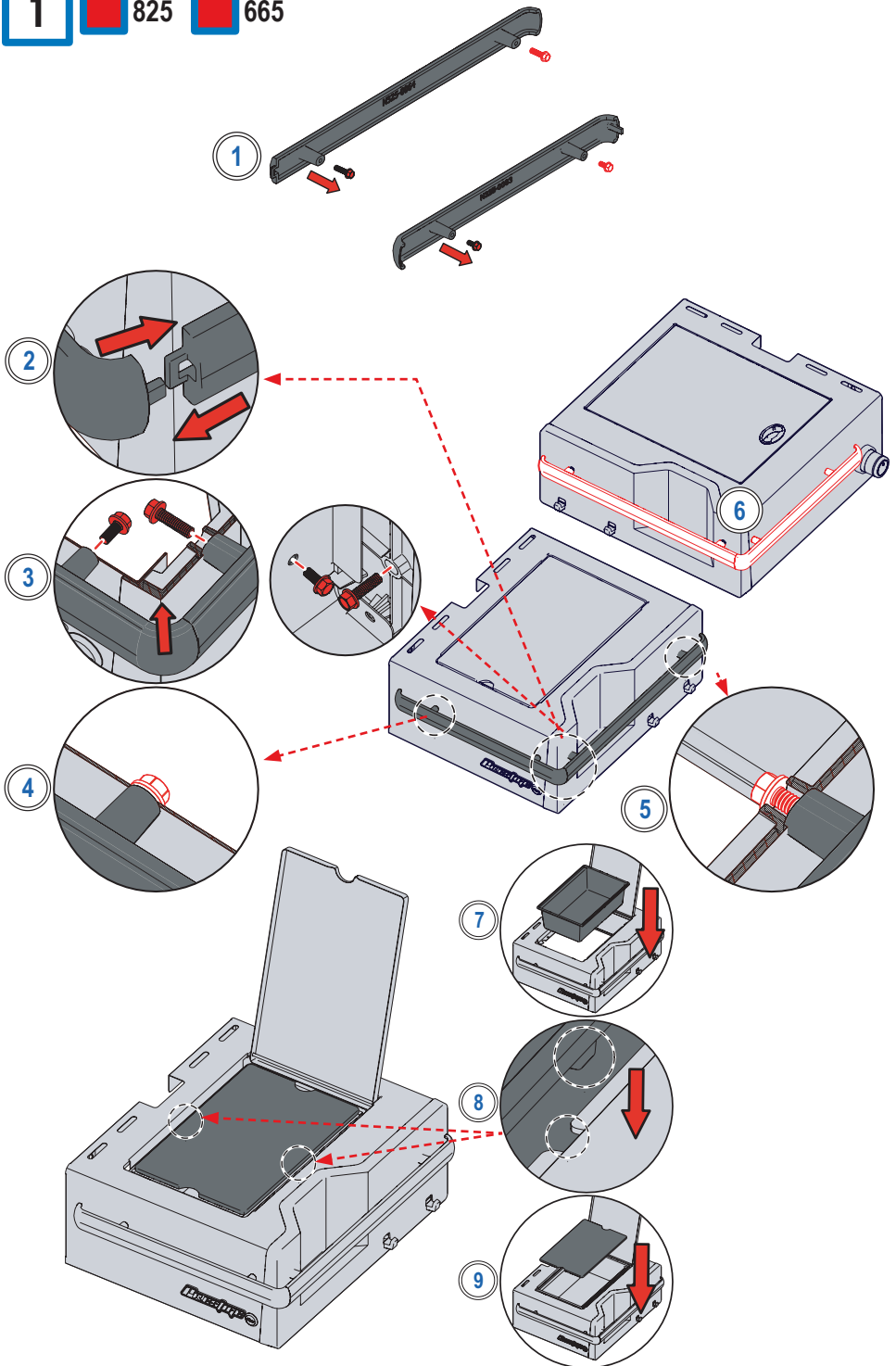
1



825



665





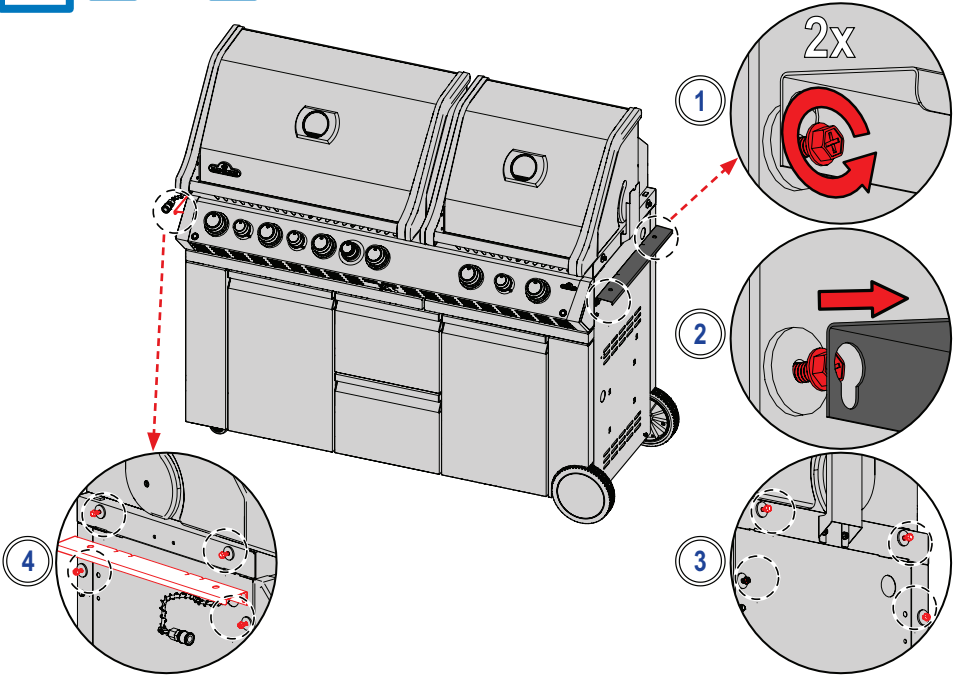
2



825



665



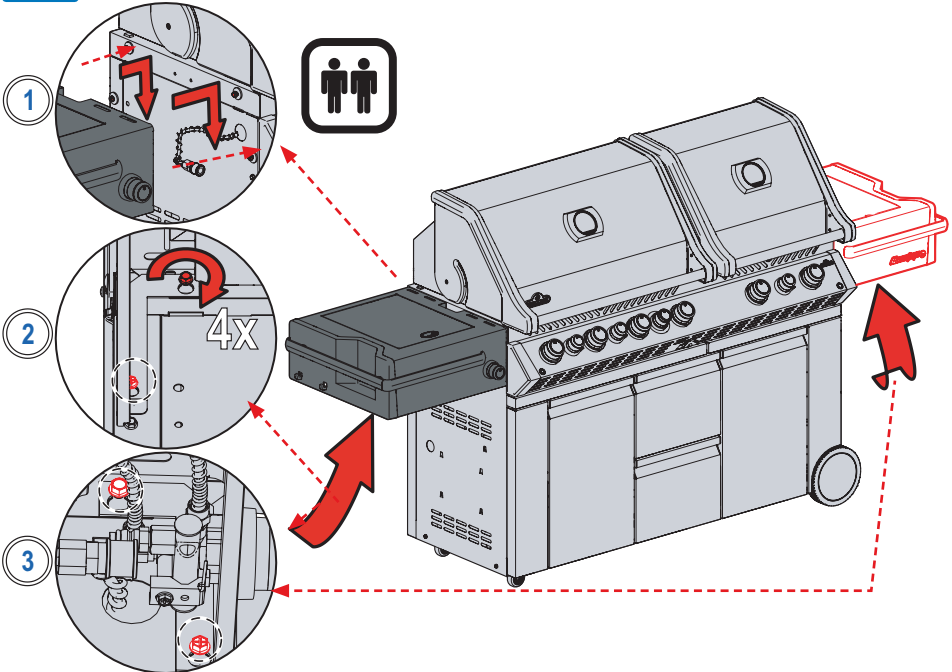
3

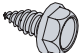


825

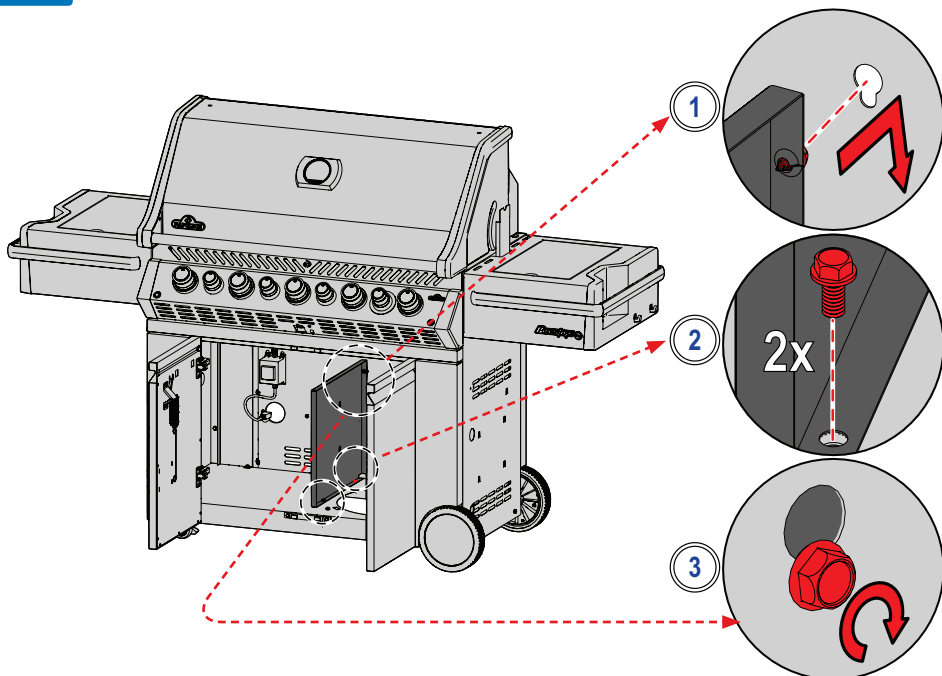


665

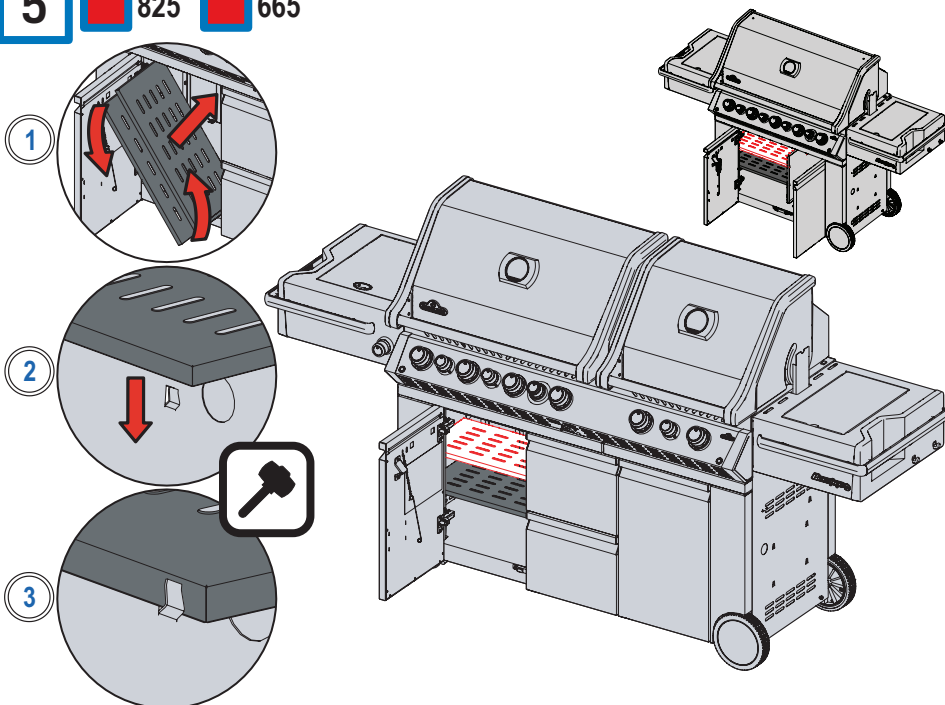


4  x2

 825  665

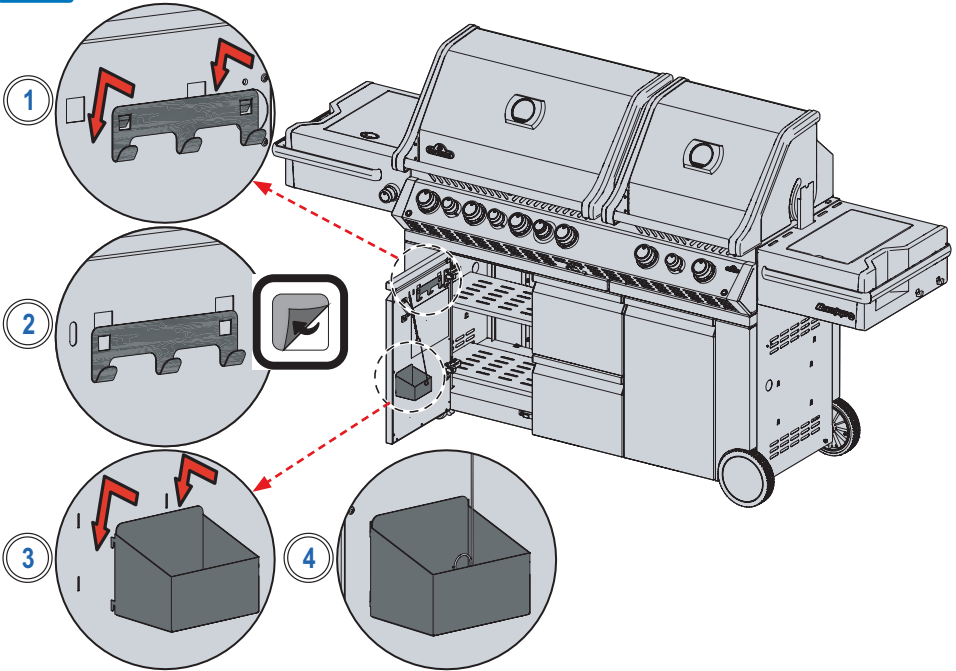


5  825  665



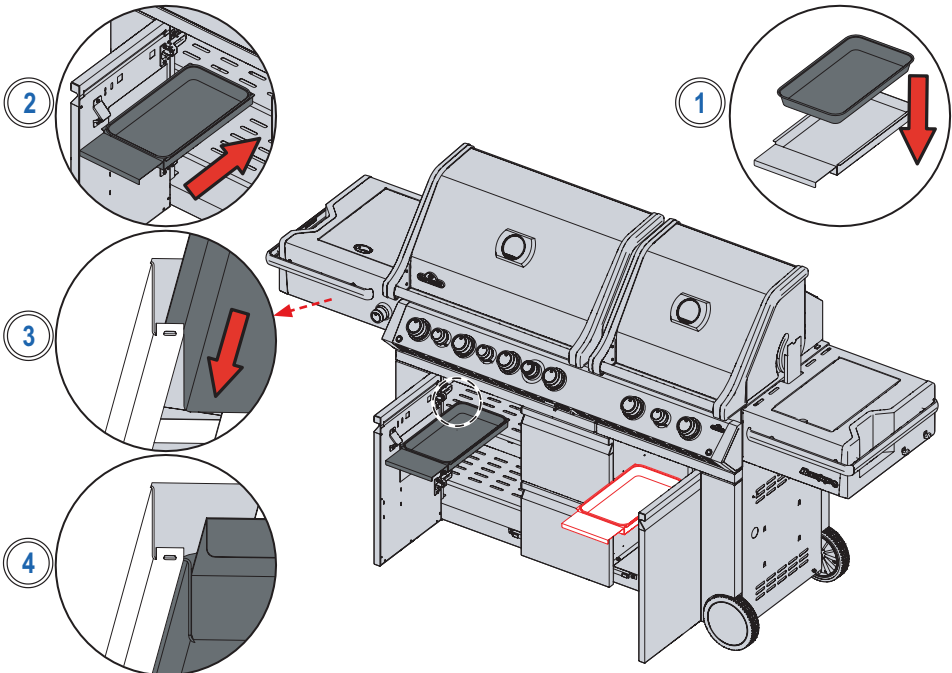
**6**

825 665



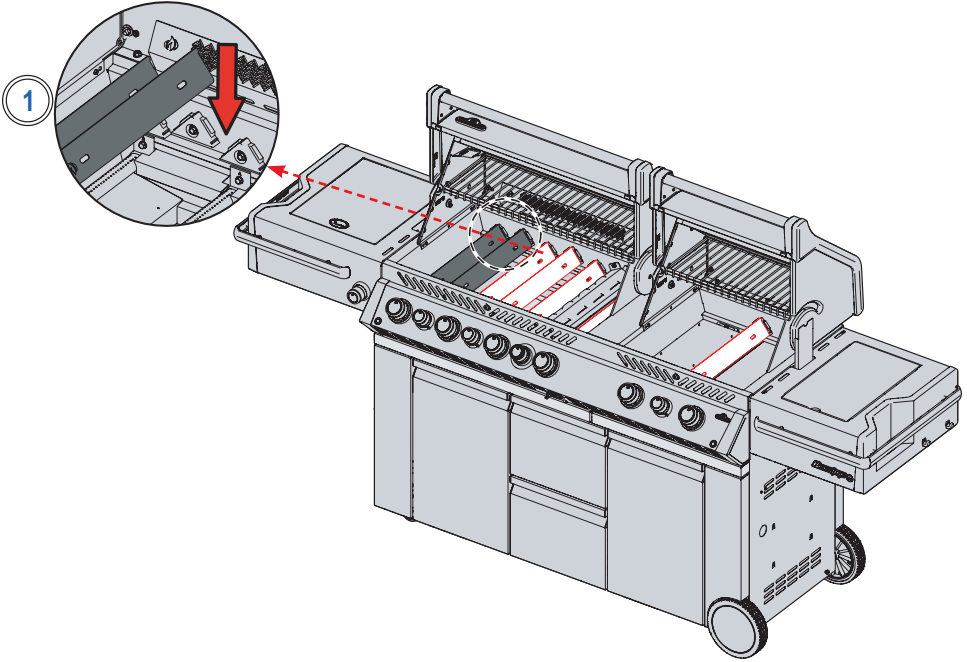
**7**

(825) 2x  
(665) 1x

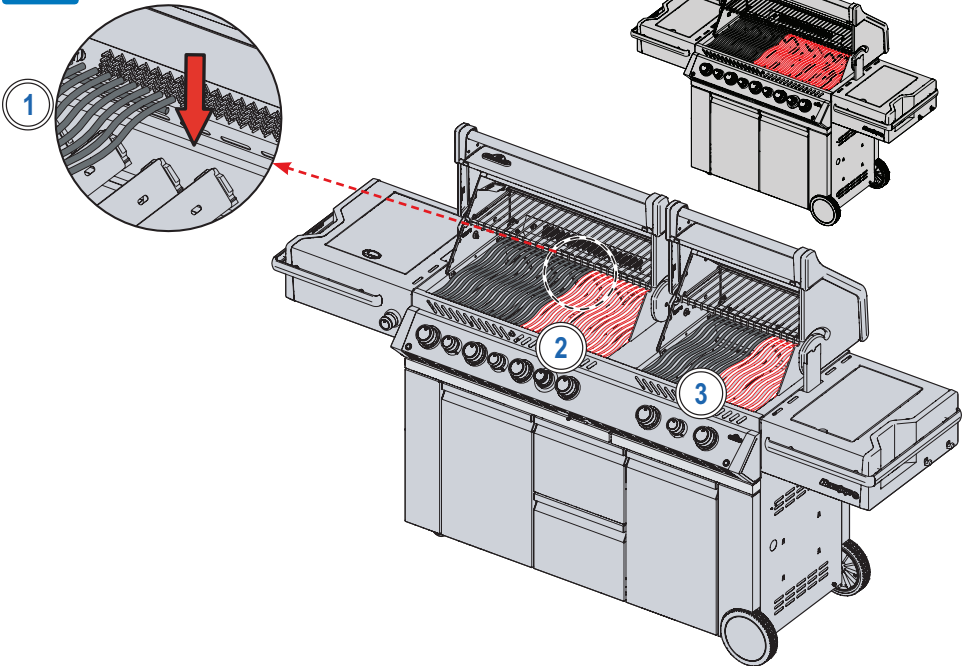


8

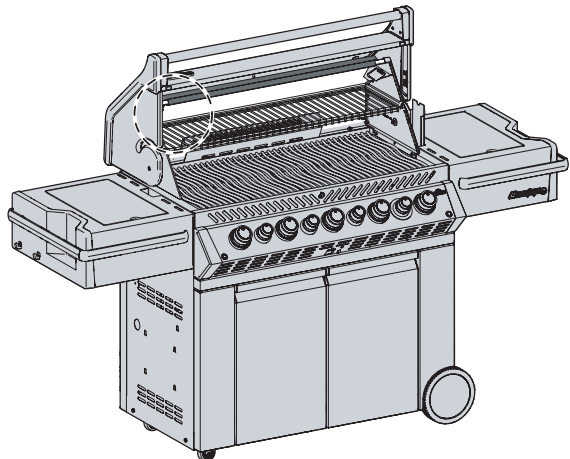
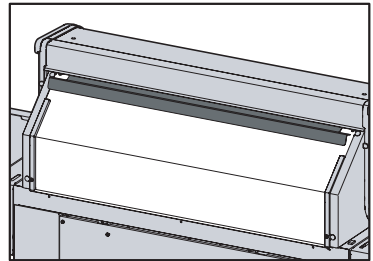
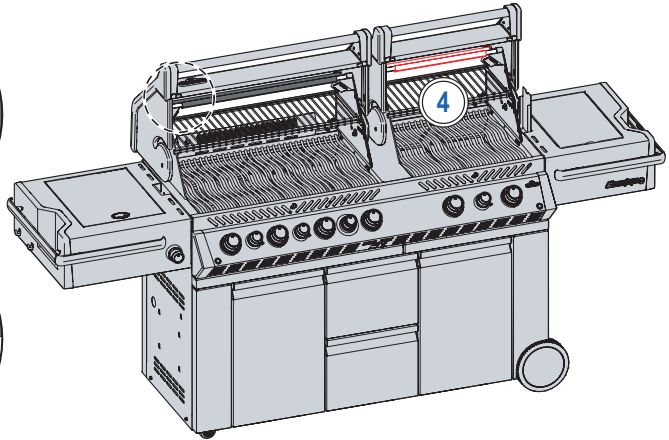
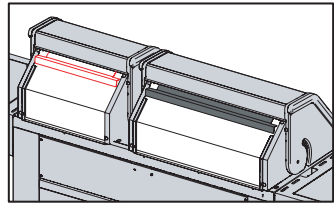
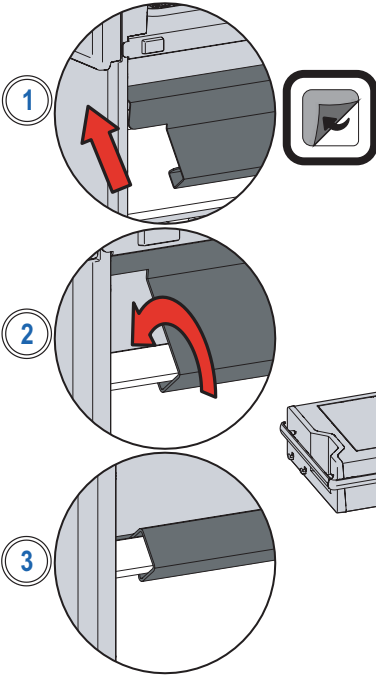
(825) 7x  
(665) 8x



9



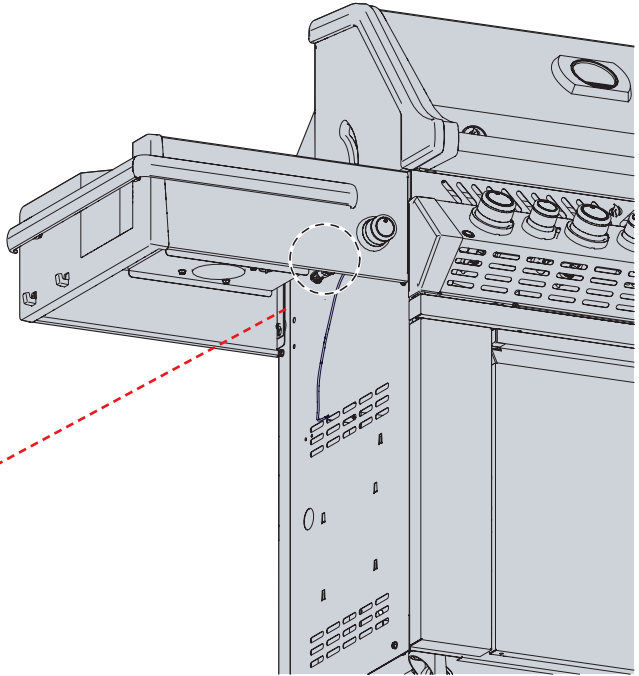
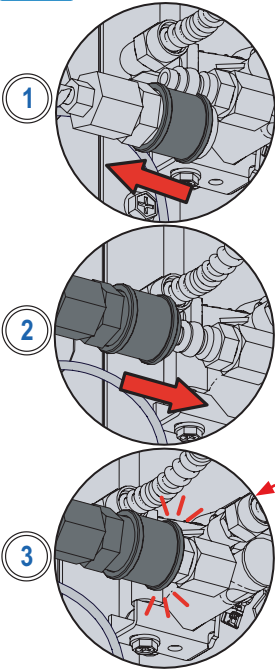
**10** (825) 2x  
(665) 1x



# 11



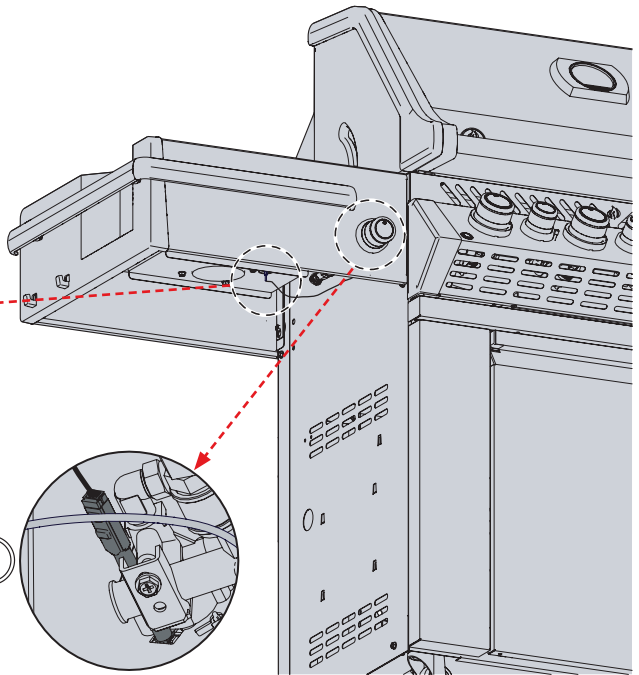
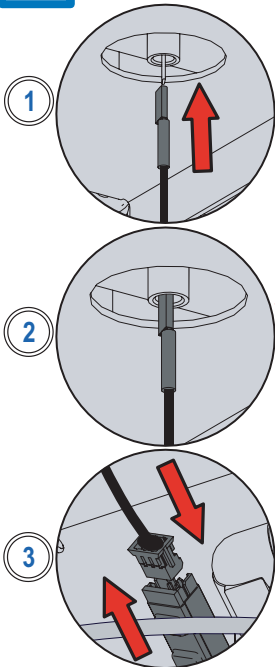
825



# 12

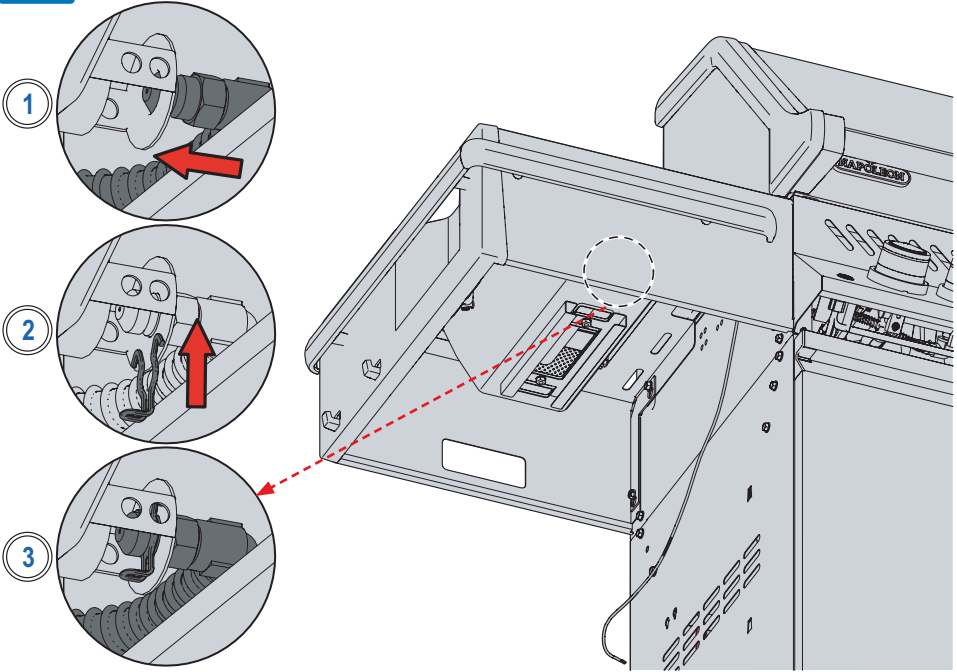


825

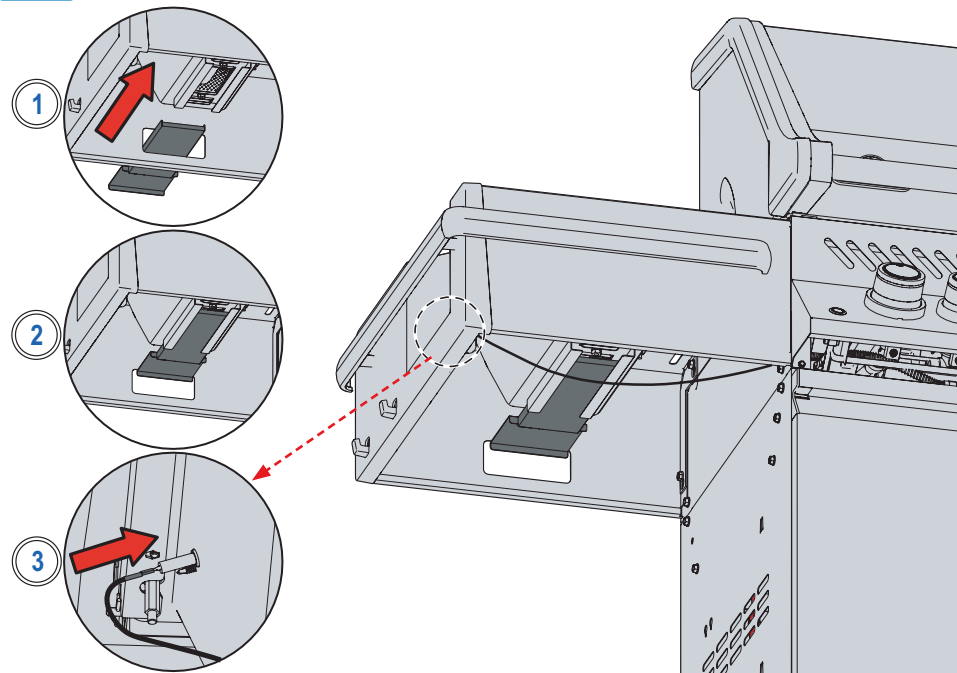


**13**

665


**14**

665





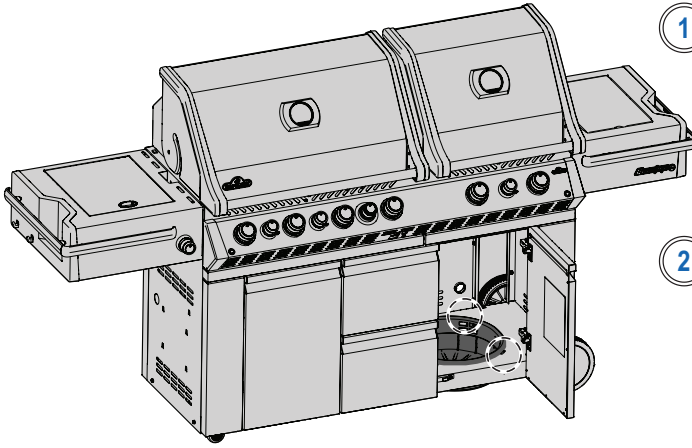
15



825

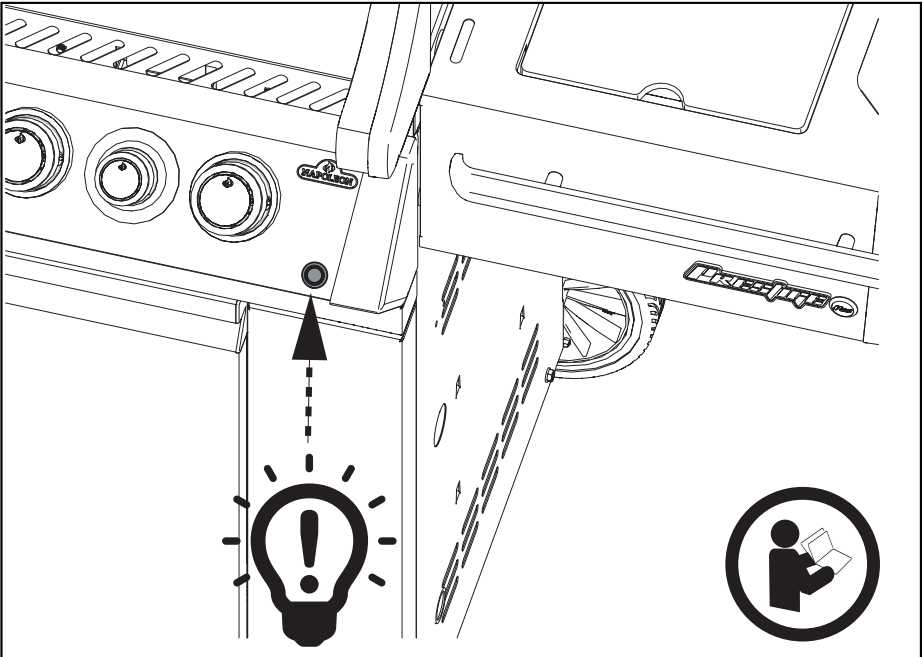


665

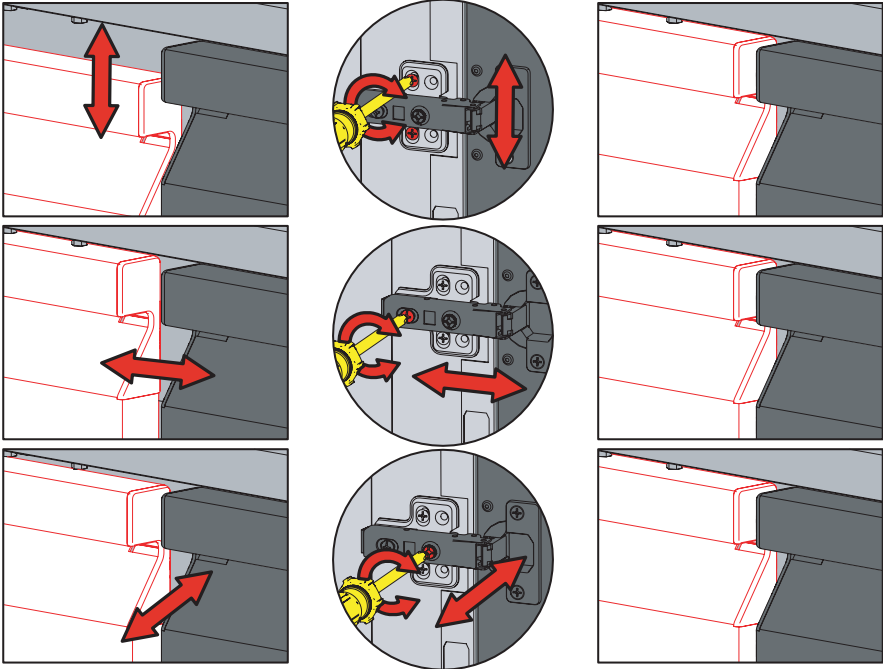


- 1
- 2
- 3

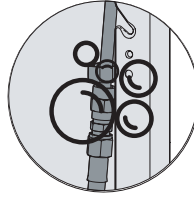
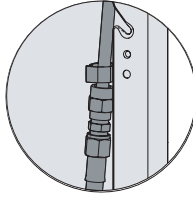
**A**



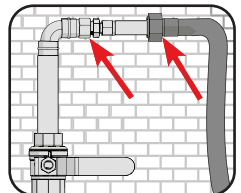
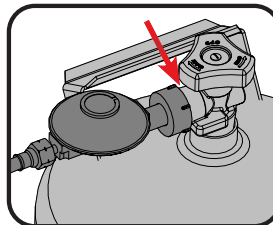
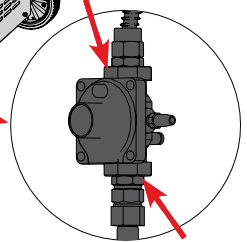
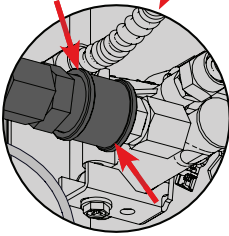
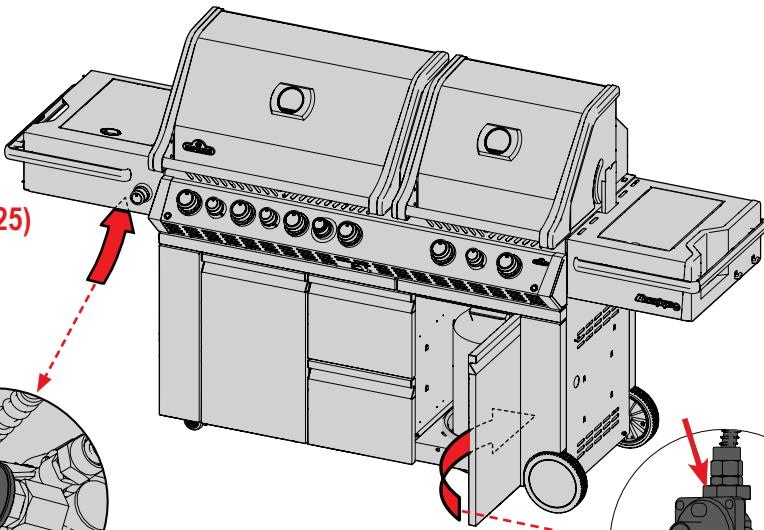


**B**


D



(825)





## Parts List

Item	Part #	PRO825-3
1	N370-0877	x
2	N570-0038	x
3	N100-0057	x
4	N100-0049	x
5	N080-0320	x
6	N080-0321	x
7	N370-0822	x
8	N200-0106	x
9	N510-0013	x
10	N080-0339	x
11	N080-0340	x
12	N450-0025	x
13	N080-0315	x
14	N455-0055	p
15	N255-0058	x
16	N080-0311	x
17	N720-0056	x
18	N455-0016	p
19	N240-0033	x
20	N655-0206	x
21	N570-0104	x
22	N570-0008	x
23	N475-0571	x
24	N570-0078	x
25	N010-0794	p
26	N720-0071	x
28	N120-0024	x
29	N120-0025	x
30	N660-0009	x
31	N010-1440	x
32	N585-0098	x
33	N010-1135	x
34	N010-1097	x
35	N010-1098	x
36	N380-0035-CL	x
37	N380-0034-CL	x
38	N585-0101	x
40	N570-0022	x
41	N720-0053	x
42	N350-0069	x
43	N100-0045-SER	x
44	N450-0006	x
45	N240-0036	x
46	N305-0082	x
47	N305-0085	x
48	N305-0092	x
49	N010-0800-SER	x
52	N335-0076-BK2SG	x
56	N570-0073	x
57	N350-0072	x
58	N350-0073	x
59	N402-0017	x
	W387-0006	ac
61	N520-0038	x
62	N520-0039	x
63	N475-0301-M06	x

Item	Part #	PRO825-3
64	N200-0110	x
65	N570-0112	x
66	N570-0013	x
68	N735-0002	x
69	N570-0015	x
70	N570-0024	x
71	N010-0968	x
72	N010-0967	x
73	N080-0335	x
74	N010-0498	x
75	N715-0098	x
76	N215-0014	x
78	N215-0017	x
80	N530-0032	p
	N530-0033	p
	N530-0034	p
	N530-0035	p
	N530-0036	p
	N530-0037	p
	N530-0038	p
	N530-0039	p
	N530-0042	p
	N530-0043	p
	N530-0044	p
	N530-0046	p
81	N720-0072	x
82	N010-0811-SS	x
83	N010-0810-SS	x
84	N215-0016	x
86	N010-1167-SER	p
87	N010-0934	x
88	N010-0933	x
90	N190-0005	x
91	N750-0077	x
92	N750-0038	x
93	N380-0025-BK	x
94	N051-0010	x
95	N051-0012	x
96	N010-0800	x
97	N570-0087	x
101	N010-1227-GY1SG	x
102	N130-0016	x
103	N735-0003	x
104	N570-0082	x
105	N015-0011	x
106	N745-0009	x
107	N450-0023	x
108	N120-0037	x
109	N475-0427-GY1SG	x
110	N080-0401-GY1SG	x
112	N475-0429-GY1SG	x
113	N475-0428-GY1SG	x
114	N585-0107	x
115	N570-0086	x
116	N357-0022	x
117	N475-0431	x

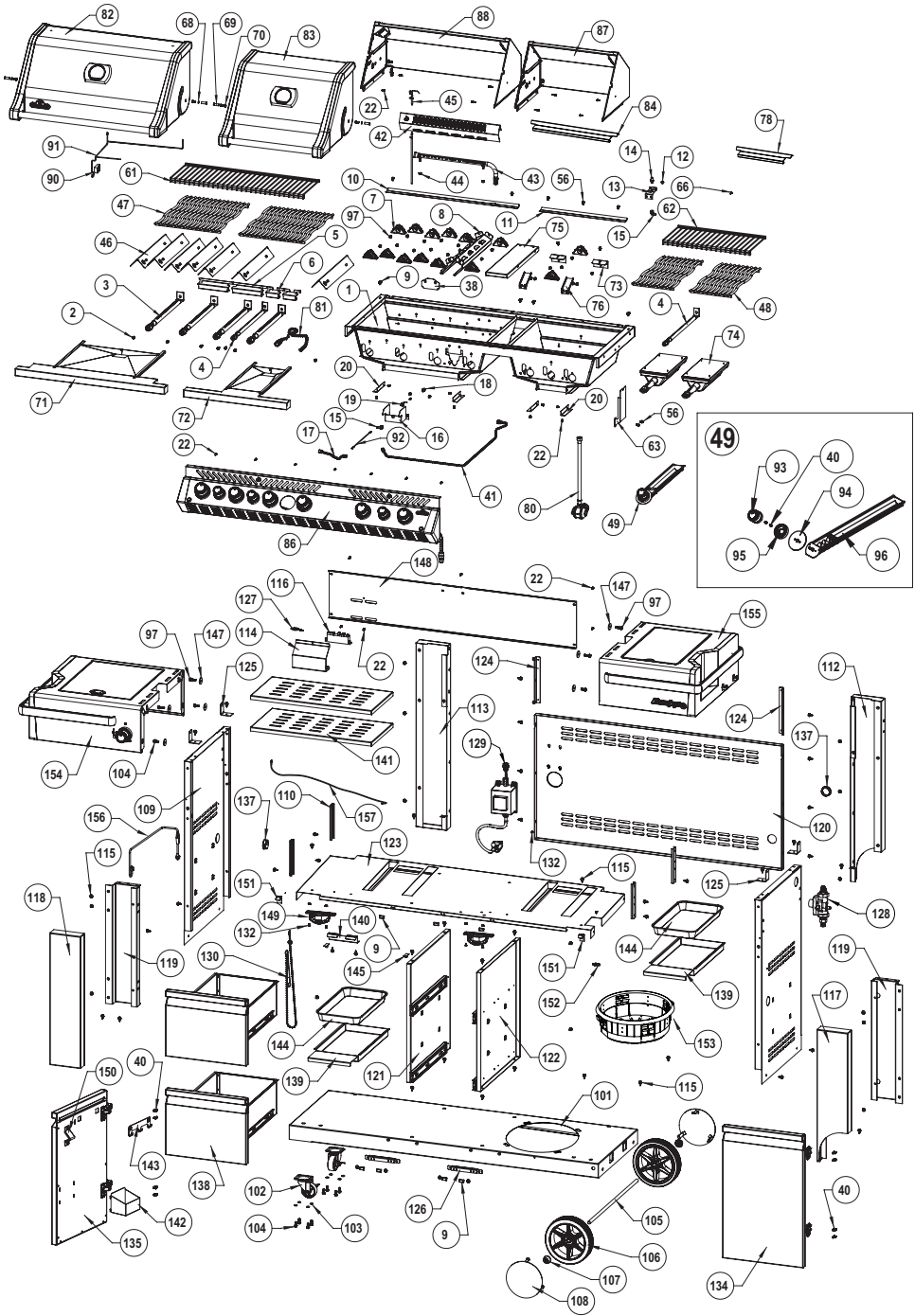
Item	Part #	PRO825-3
118	N475-0430	x
119	N655-0199	x
120	N475-0435-GY1SG	x
121	N010-0816	x
122	N010-0817	x
123	N585-0112-GY1SG	x
124	N080-0330-GY1SG	x
125	N080-0331-GY1SG	x
126	N080-0332-GY1SG	x
127	N750-0033	x
128	N010-0857	x
129	N707-0018	x
	N707-0017	x
130	N555-0097	x
132	N545-0013	x
133	N510-0017	x
134	N010-0803	x
135	N010-0802	x
137	N105-0012	x
138	N010-0818	x
139	N710-0086	x
140	N080-0341	x
141	N590-0242-GY1SG	x
142	N185-0005	x
143	55110	x
144	62008	x
145	N160-0039	x
147	N735-0001	x
148	N200-0124-GY1SG	x
149	N402-0018	x
150	Z080-0012-SER	x
151	N080-0318-GY1SG	x
152	N160-0045	x
153	N370-0981CE	p
154	N370-0906P	p
	N750-0085	x
155	N370-0860	x
156	N750-0079	x
157	N750-0018	x
158	N160-0048	x
201	N715-0091	x
202	N715-0092	x
203	S91005	x
205	N335-0098-M02	x
206	N485-0021	x
207	N185-0003	x
208	N590-0189	x
209	N010-1136	x
210	N010-0829	x
211	N455-0072	p
212	N455-0074	p
213	N320-0005	x
214	N120-0033-GY0TX	x
216	N570-0076	x
217	N100-0050	x
218	N080-0343	x

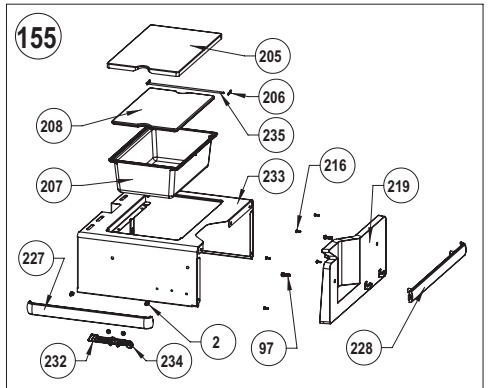
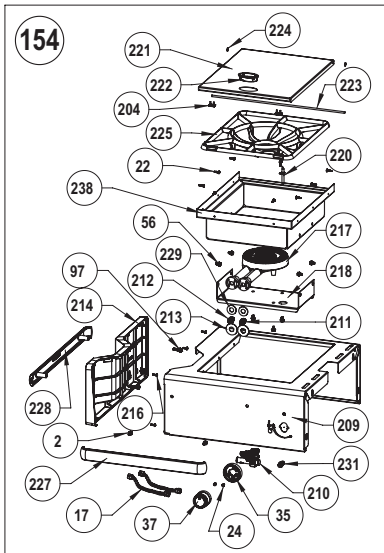
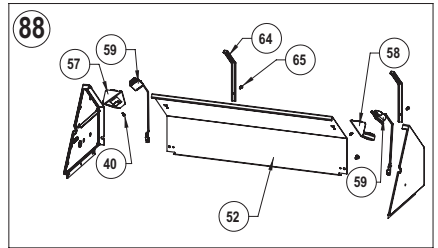
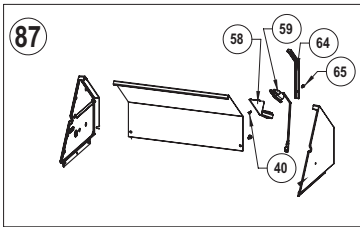
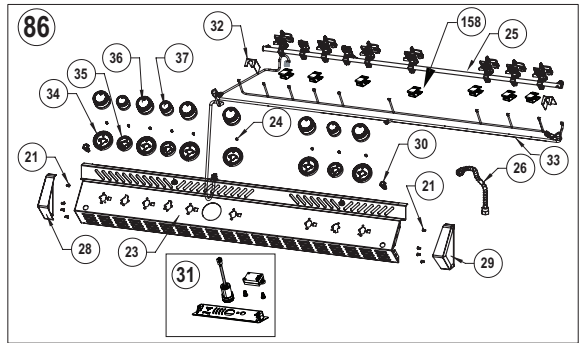
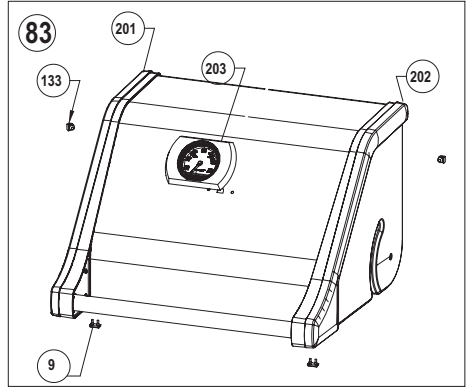
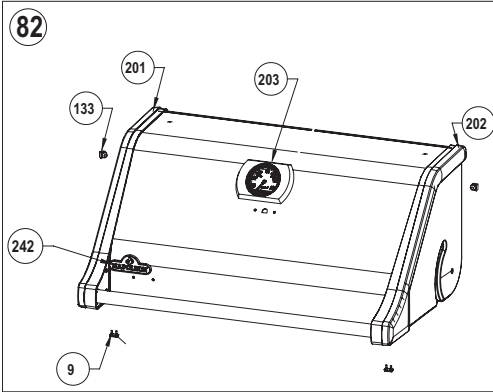
Item	Part #	PRO825-3
219	N120-0034-GY0TX	x
220	N240-0032	x
221	N335-0074	x
222	Z325-0013	x
223	N555-0059	x
224	N735-0020	x
225	N305-0093	x
227	N325-0063	x
228	N325-0064	x
229	N500-0054	x
231	N255-0061	x
232	N385-0144-SER	x
233	N010-0997-SER	x
234	N385-0185	x
235	N555-0091	x
238	N500-0052	x
242	N385-0308-SER	x
225	N305-0093	x
226	N570-0008	x
227	N325-0063	x
228	N325-0064	x
229	N500-0054	x
230	N720-0056	x
231	N255-0061	x
232	N385-0144-SER	x
233	N010-0992	x
234	N385-0185	x
235	N555-0091	x
236	N570-0087	x
237	N380-0034-CL	x
238	N500-0052	x
239	N570-0078	x
240	N010-1098	x
241	N570-0073	x
242	N385-0308-SER	x

## Accessories Parts List

	Description	PRO825-3
61825	cover	ac
56040	cast iron griddle	ac
67732	charcoal tray	ac
N285-0002	6A fuse	ac
62007	grease trays foil (5 pieces)	ac

x- standard part  
p- propane  
n- natural  
ac- accessory





## Parts List

Item	Part #	PRO665-3
1	N010-0790-SS	x
	N010-0790-BK	x
2	N715-0091	x
3	S91005	x
4	N715-0092	x
5	N385-0308-SER	x
6	N510-0013	x
7	N010-1092-SER	x
8	S87012	x
9	N520-0037	x
10	N305-0085	x
11	N305-0092	x
12	N215-0015	x
13	N510-0017	x
14	W735-0011	x
15	N585-0111-GY1SG	x
16	N750-0069	x
17	N402-0017	x
	W387-0006	ac
18	N545-0013	x
19	N402-0018	x
20	N710-0086	x
21	62008	x
22	N010-0932	x
23	N570-0012	x
24	N350-0072	x
25	N735-0021	x
26	N350-0073	x
27	N200-0110	x
28	N010-0800-SER	x
29	N051-0012	x
30	N051-0010	x
31	N380-0025-BK	x
32	N570-0022	x
33	N010-0800	x
34	N450-0006	x
35	N080-0315	x
36	N255-0058	x
37	N455-0055	p
	W456-0050	n
38	N720-0053	x
39	N570-0073	x
40	N200-0106	x
41	N350-0069	x
42	N100-0045-SER	x
43	N080-0329	x
44	N240-0036	x
45	N200-0123-GY1SG	x
46	N750-0033	x
47	N080-0321	x
48	N357-0022	x
49	N585-0107	x
50	N570-0008	x
51	N455-0016	p
	N455-0002	n
53	N100-0049	x

Item	Part #	PRO665-3
54	N080-0311	x
55	N240-0033	x
56	N010-0966	x
57	N530-0032	p
	N530-0033	p
	N530-0034	p
	N530-0035	p
	N530-0036	p
	N530-0037	p
	N530-0038	p
	N530-0039	p
	N530-0042	p
	N530-0043	p
	N530-0044	p
	N530-0046	p
58	N735-0001	x
59	N655-0206	x
60	N570-0087	x
61	N475-0301-M06	x
62	N370-0876	x
63	N370-0822	x
65	N010-1228-GY1SG	x
67	N475-0429-GY1SG	x
68	N010-1165-SER	p
	N010-1166-SER	n
69	N585-0098	x
70	N660-0009	x
71	N010-1096	x
72	N475-0569	x
73	N120-0024	x
74	N010-0792	p
	N010-0793	n
76	N570-0078	x
77	N720-0071	x
78	N120-0025	x
79	N570-0104	x
81	N010-1440	x
83	N380-0034-CI	x
84	N010-1098	x
85	N380-0035-CI	x
86	N010-1097	x
88	N370-0981CE	x
89	N010-0803	x
90	N475-0431	x
91	N655-0199	x
93	N080-0330	x
94	N475-0434-GY1SG	x
95	N475-0427-GY1SG	x
96	N475-0428-GY1SG	x
97	N010-0857	p
	N010-0857-FR	p
	N010-0858	n
98	N475-0341-GY1SG	x
99	N590-0239-GY1SG	x
100	N570-0086	x
101	N455-0067	p



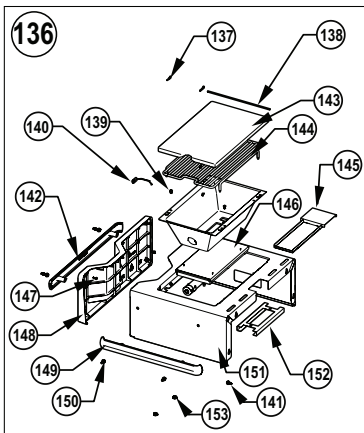
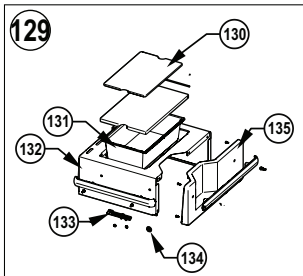
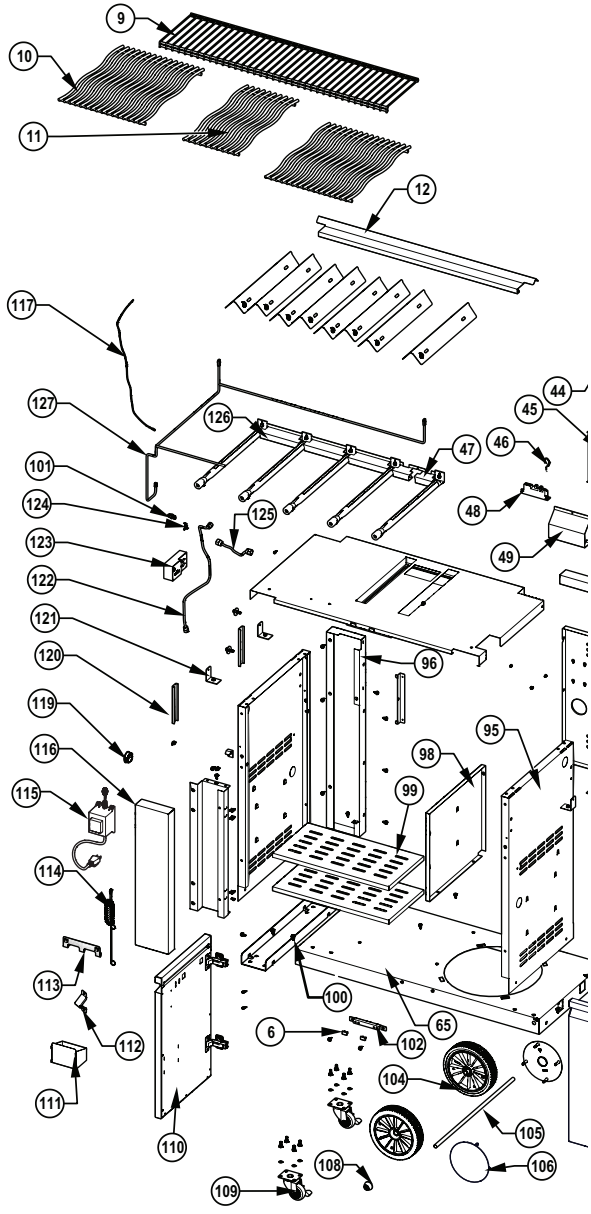
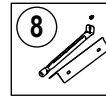
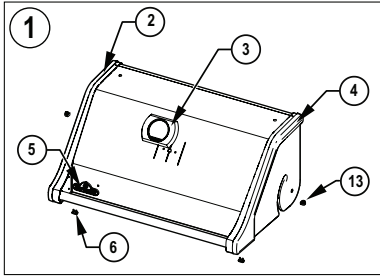
Item	Part #	PRO665-3
	N455-0068	n
102	N080-0332-GY1SG	x
104	N745-0009	x
105	N015-0011	x
106	N120-0037	x
108	N450-0023	x
109	N130-0016	x
110	N010-0802	x
111	N185-0005	x
112	Z080-0012-SER	x
113	55110	x
114	N555-0097	x
115	N707-0014	x
	N707-0013	x
116	N475-0430	x
117	N750-0018	x
119	N105-0012	x
120	N080-0401-GY1SG	x
121	N080-0331-GY1SG	x
122	N010-1357	x
123	N190-0005	x
124	N160-0023	x
125	N720-0056	x
126	N080-0320	x
127	N750-0070	x
129	N010-1164-SER	x

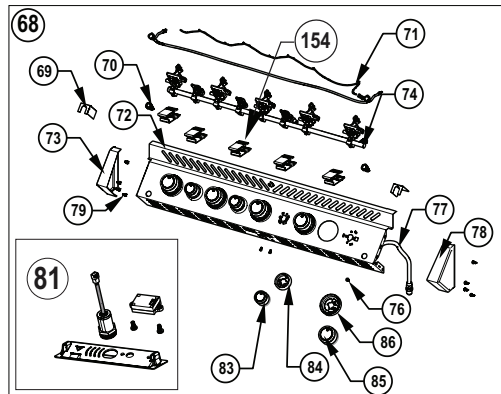
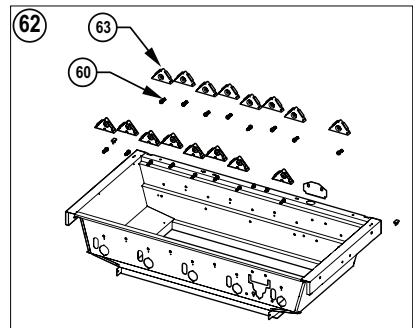
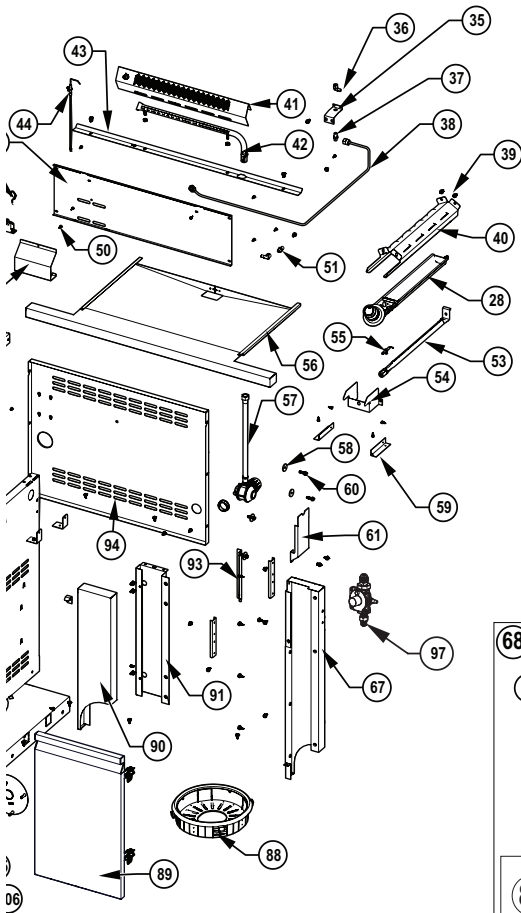
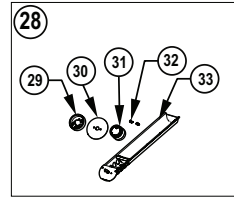
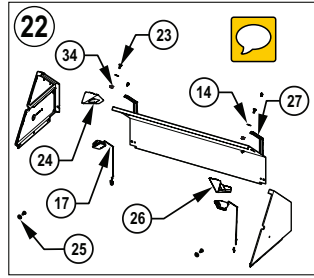
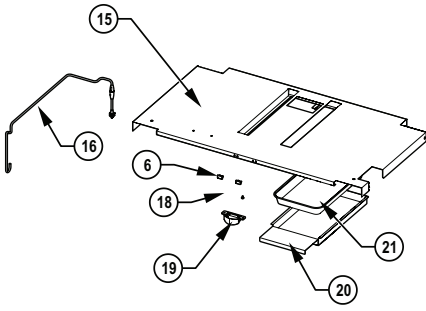
Item	Part #	PRO665-3
130	N590-0189	x
131	N185-0003	x
132	N010-0997-SER	x
133	N385-0144-SER	x
134	N385-0185	x
135	N120-0034-GY0TX	x
136	N010-1163-SER	x
137	N485-0021	x
138	N555-0091	x
139	N570-0042	x
140	N240-0026	x
141	N570-0080	x
142	N325-0064	x
143	N335-0098-M02	x
144	S83012	x
145	N710-0063	x
146	S81005	x
147	N570-0076	x
148	N120-0033-GY0TX	x
149	N325-0063	x
150	N570-0038	x
151	N010-0998-SER	x
152	N080-0358	x
153	W450-0020	x
154	N160-0048	x

### Accessories Parts List

	Description	PRO665-3
61665	cover	ac
56040	cast iron griddle	ac
67732	charcoal tray	ac
69632	rotisserie kit CE	ac
69633	rotisserie kit GB	ac
N285-0001	4A fuse	ac

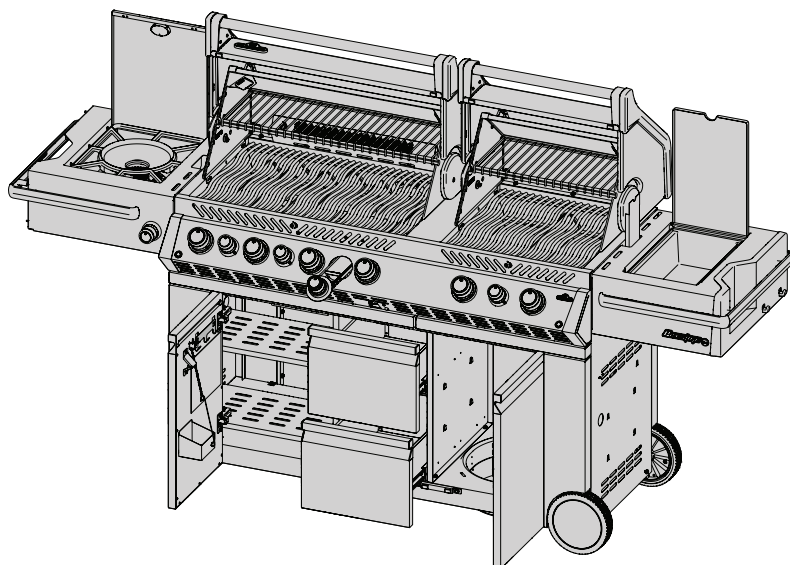
x- standard part  
p- propane  
n- natural  
ac- accessory



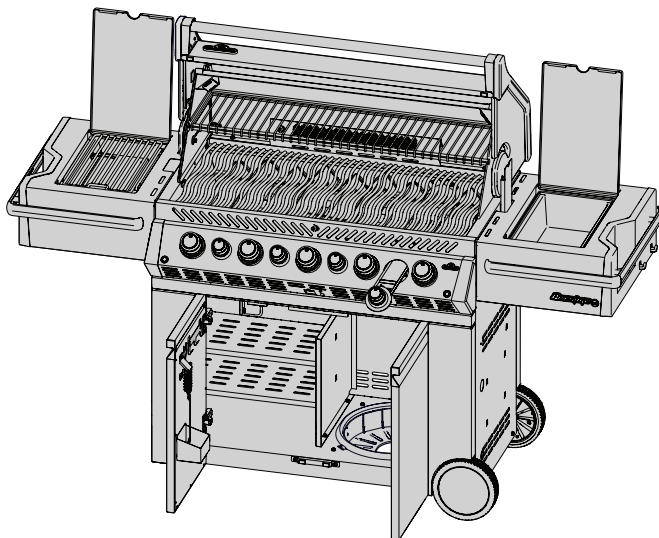




## PRO825RSBI-3



## PRO665RSIB-3



Napoleon products are protected by one or more U.S. and Canadian and/or foreign patents or patents pending.



**PHONE:**  
+31 345-58-8655



**EMAIL:**  
eu.info@napoleon.com



**ONLINE:**  
www.napoleon.com



**NAPOLEON GRILLS EUROPE**  
De Riemsdijk 22, 4004 LC, Tiel  
The Netherlands